

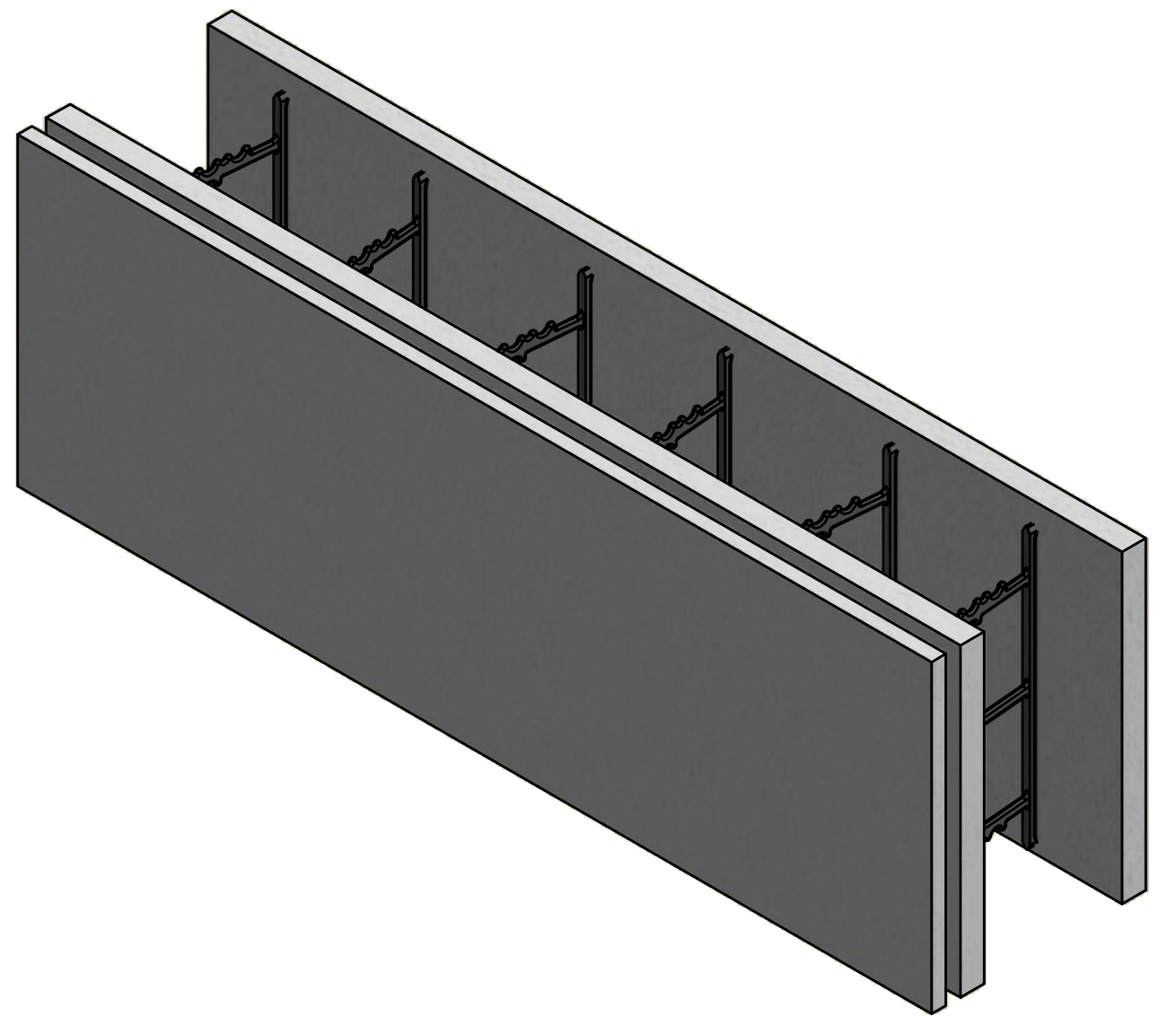
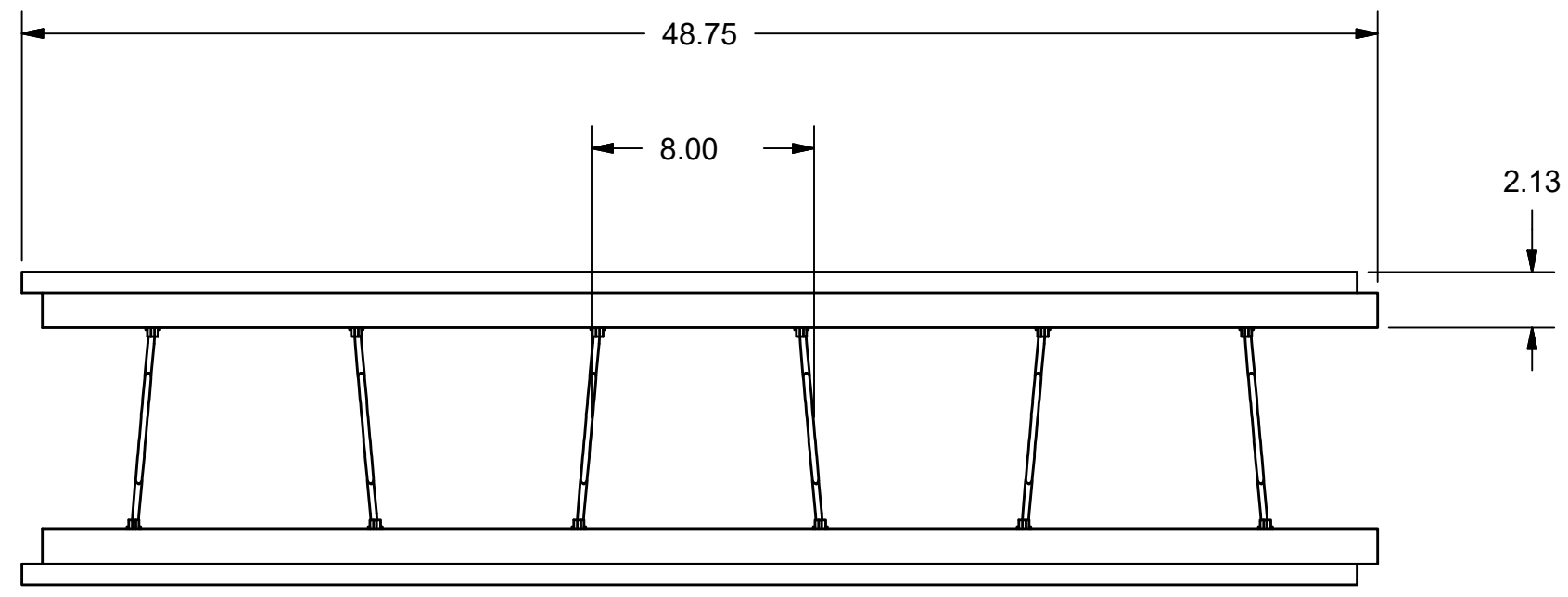
4 3 2 1

D

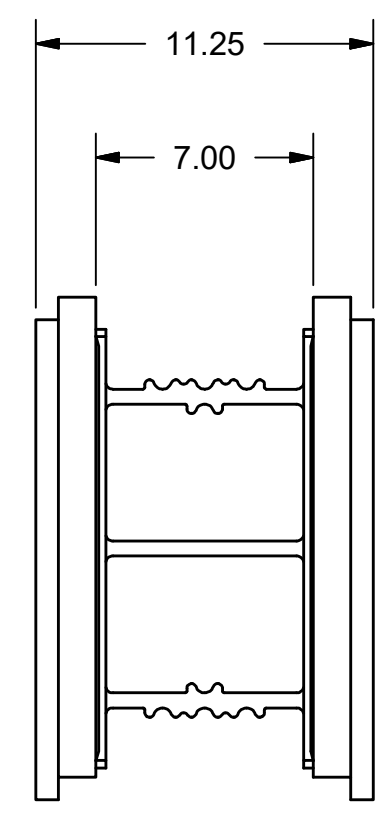
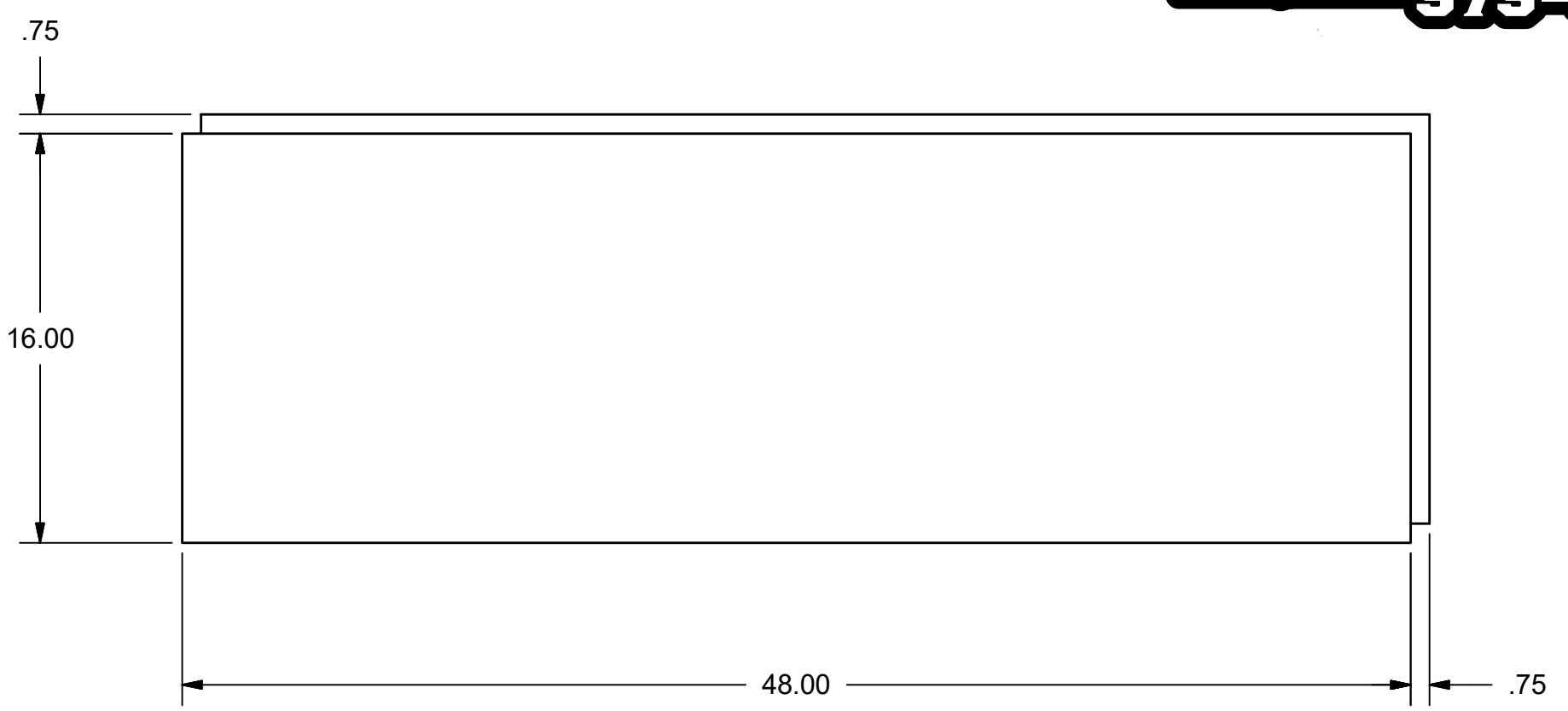
C

B


A



Distributed by:



**SERVING NEW JERSEY, NEW YORK AND PENNSYLVANIA**  
**VISIT US AT [WWW.RESCOMICF.COM](http://WWW.RESCOMICF.COM)**

DATE	4/17/2018				
DETAILED BY	KR				
DESIGNED BY	KR				
CHECKED BY	TP				
<small>UNLESS OTHERWISE SPECIFIED DIMENSIONS ARE IN INCHES [mm] TOLERANCES ON FRACTIONS ± 1/32 .00 ± .03 .000 ± .01 ANGLES ± 1-1/2°</small>		TITLE			
<small>THIS PRINT IS THE PROPERTY OF CROWN ICF AND MAY CONTAIN PROPRIETARY INFORMATION. IT IS NOT TO BE COPIED OR DUPLICATED IN ANY MANNER OR SUBMITTED TO OUTSIDE PARTIES FOR EXAMINATION WITHOUT THE KNOWLEDGE &amp; CONSENT OF CROWN ICF. IT SHALL BE USED ONLY AS A MEANS OF REFERENCE FOR WORK FURNISHED BY CROWN ICF. THE DESIGNS HEREIN MAY BE COVERED BY ONE OR MORE PATENTS OWNED BY CROWN ICF. TRANSFER OF THIS DRAWING DOES NOT IMPLY ANY LICENSE. IT IS NOT TO BE USED TO BUILD, REBUILD, REPAIR OR RECONSTRUCT A PRODUCT OF CROWN ICF.</small>		Insulated Concrete Form DRAWING NUMBER <b>ICF1001-1</b> SCALE SHEET 1 OF 1			
REV	DESCRIPTION	DATE	APPD	REV	A
REVISION HISTORY					

4 3 2 1